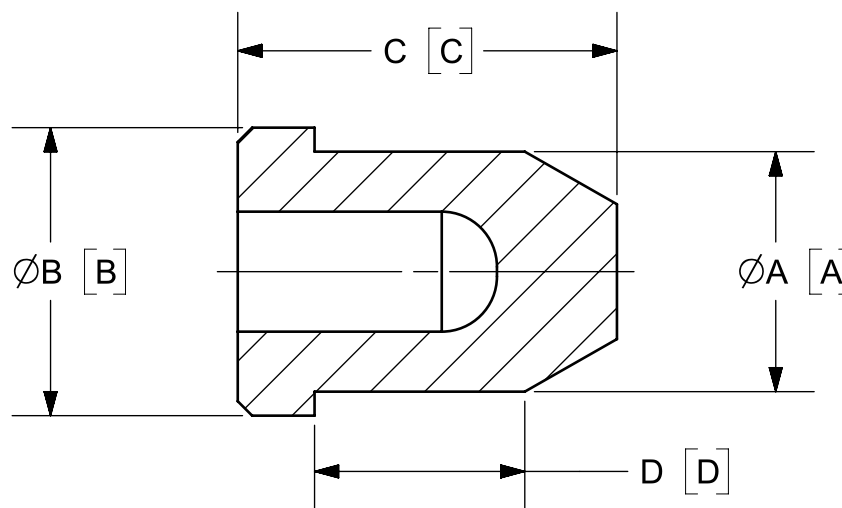
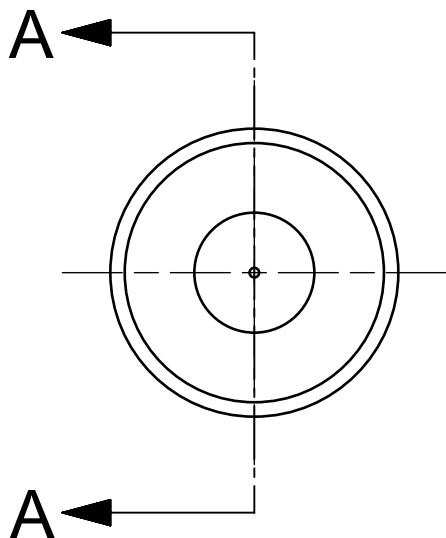


NOTES:

- 1. DIMENSIONS IN [] ARE INCHES
- 2. MATERIAL SBR/NR
COLOR: BLACK
50 SHORE A DUROMETER



REV	DESCRIPTION	DATE	BY	APP



SECTION A-A

RUBBER SEAL PLUG W/O TAB SIZE CHART

RSP CODE	PART NUMBER	A	B	C	D
RSP0313	390429	7.95 [0.313]	10.49 [0.413]	18.00 [0.709]	11.13 [0.438]
RSP0365	376331	9.27 [0.365]	11.81 [0.465]	18.57 [0.731]	11.13 [0.438]
RSP0375	185651	9.53 [0.375]	12.07 [0.475]	18.69 [0.736]	11.13 [0.438]
RSP0400	056512	10.16 [0.400]	12.70 [0.500]	18.95 [0.746]	11.13 [0.438]
RSP0438	100949	11.13 [0.438]	13.67 [0.538]	19.38 [0.763]	11.13 [0.438]
RSP0470	032880	11.94 [0.470]	14.48 [0.570]	19.74 [0.777]	11.13 [0.438]
RSP0500	089148	12.70 [0.500]	15.24 [0.600]	20.07 [0.790]	11.13 [0.438]
RSP0616	076261	15.65 [0.616]	18.19 [0.716]	22.91 [0.902]	12.70 [0.500]
RSP0703	129224	17.86 [0.703]	20.40 [0.803]	22.30 [0.878]	12.70 [0.500]
RSP0750	636191	19.05 [0.750]	21.59 [0.850]	24.38 [0.960]	12.70 [0.500]
RSP0828	981033	21.03 [0.828]	23.57 [0.928]	25.25 [0.994]	12.70 [0.500]
RSP1125	228908	28.58 [1.125]	31.88 [1.255]	29.11 [1.146]	19.05 [0.750]
RSP1309	098832	33.25 [1.309]	38.84 [1.529]	29.11 [1.146]	19.05 [0.750]

 <p>Sinclair & Rush Global Manufacturer of Plastic, Rubber & Foam Components</p>	SINCLAIR AND RUSH LTD. 19 LAKER ROAD, ROCHESTER KENT, ME1 3QX UK WWW.SINCLAIR-RUSH.CO.UK													
	THIS DRAWING CONTAINS CONFIDENTIAL INFORMATION OF SINCLAIR AND RUSH LTD. AND IS NOT TO BE COPIED, USED OR, DISCLOSED TO OTHERS WITHOUT THE EXPRESS WRITTEN CONSENT OF SINCLAIR AND RUSH LTD.													
DIMENSIONS ARE IN INCHES TOLERANCES: (UNLESS OTHERWISE SPECIFIED) RMA A3 COMMERCIAL	ALL DIMENSIONS AND SYMBOLS CONFORM TO ANSI Y14.5  THIRD ANGLE PROJECTION	<table border="1"> <tr> <td>DRW</td> <td>WMB</td> <td>DATE</td> <td>24-MAY-23</td> </tr> <tr> <td>CK</td> <td>GSG</td> <td>DATE</td> <td>25-MAY-23</td> </tr> <tr> <td>APP</td> <td>GSG</td> <td>DATE</td> <td>25-MAY-23</td> </tr> </table> SCALE 2.5:1	DRW	WMB	DATE	24-MAY-23	CK	GSG	DATE	25-MAY-23	APP	GSG	DATE	25-MAY-23
DRW	WMB	DATE	24-MAY-23											
CK	GSG	DATE	25-MAY-23											
APP	GSG	DATE	25-MAY-23											
DESCRIPTION RUBBER SEAL PLUGS W/O TAB, UK TABLE REF														
SIZE A	SHEET 1 OF 1	PART / DRAWING NUMBER CP4583	REV 0											