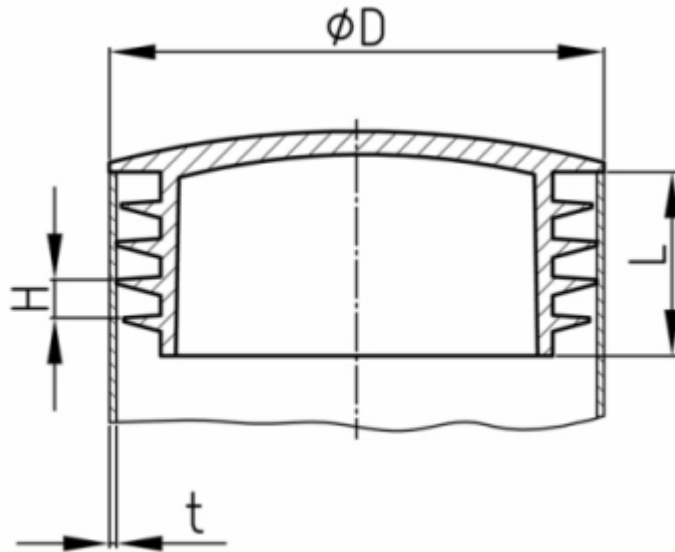




Sinclair & Rush

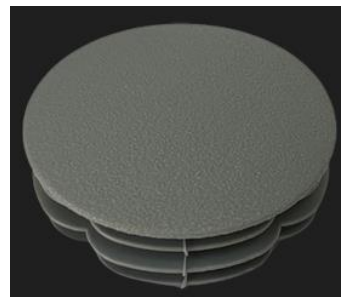
Global Manufacturer of Plastic, Rubber & Foam Components

UNCONTROLLED Reference Drawing



ITEM	DIA	Colour	COLOUR REF	D	H	L	t
Rti1233	12.0	BLACK	RAL 9005	10.0	2.0	10	0.8-1.5
Rti1138	15.0	BLACK	RAL 9005	15.0	3.0	11.5	0.8-2.0
Rti1139	15.0	GREY	RAL 7042	15.0	3.0	11.5	0.8-2.0
Rti1641	19.0	BLACK	RAL 9005	19.0	3.0	11.5	0.8-2.5
Rti1135	22.0	BLACK	RAL 9005	22.0	3.0	11.5	0.8-3.0
34456	22.0	GREY	RAL 7042	22.0	3.0	11.5	0.8-3.0
Rti1334	25.4	BLACK	RAL 9005	25.4	3.0	11.5	1.2-3.2
Rti1126	32.0	BLACK	RAL 9005	32.0	3.0	11.5	0.8-2.5
Rti1326	32.0	GREY	RAL 7042	32.0	3.0	11.5	0.8-2.5
66846	34.0	GREY	RAL 7042	34.0	3.0	11.5	0.8-3.0
Rti1141	35.0	BLACK	RAL 9005	35.0	3.0	11.5	1.0-3.0
Rti1144	35.0	GREY	RAL 7042	35.0	3.0	11.5	1.0-3.0

DIMENSIONS IN MM
FOR REFERENCE ONLY



The information contained herein is believed to be reliable, but no representations, guarantees or warranties of any kind are made as to its accuracy, suitability for particular applications or the results to be obtained thereof. The information is based on laboratory work with small-scale equipment and does not necessarily indicate end product performance. Because of the variation in methods, conditions and equipment used commercially in processing these materials, no warranties or guarantees are made as to the suitability of the products for the application disclosed. Full-scale testing and end product performance are the responsibility of the user. Sinclair and Rush Limited shall not be liable for and the customer assumes all risk and liability of any use or handling of any material beyond Sinclair and Rush Limited's direct control. Sinclair and Rush Limited MAKES NO WARRANTIES, EXPRESS OR IMPLIED, INCLUDING BUT NOT LIMITED TO, THE IMPLIED WARRANTIES OF MERCHANTABILITY AND FITNESS FOR A PARTICULAR PURPOSE. Nothing contained herein is to be considered as permission, recommendations, nor as an inducement to practice any patented invention without permission of the patent owner.

<p>Sinclair & Rush Ltd 11-13 Spectrum West, 20/20 Business Estate, St Lawrence Avenue, Maidstone ME16 0LL</p> <p>01634 686 504</p>	 <p>Sinclair & Rush Global Manufacturer of Plastic, Rubber & Foam Components</p>
DESCRIPTION	ROUND – SLIGHTLY DOMED INSERTS
COLOUR	SEE TABLE
MATERIAL	LDPE